



## SPECIFICATION

Self Cleaning Back-Washable Water Filters / Strainers  
For Cold Water Applications:  
1 1/2" (38 mm) - 2" (52 mm)

JUDO Water Treatment Inc.  
2060 Steeles Ave West, Unit #4  
Concord, Ontario, Canada  
L4K 2V1  
Phone 905.761.1555  
Fax 905.761.3335  
e-mail [info@judo-online.com](mailto:info@judo-online.com)  
Website [www.judo-online.com](http://www.judo-online.com)

JUDO Wasseraufbereitung GmbH  
Postfach 380  
D-71351 Winnenden  
Phone 01149-7195-692-212  
Fax 01149-7195-692-110

JUDO quality  
management

We are certified according  
ISO 9001:2000



### SERIES:

FIMAT	Model: JFXL-M	Manual Backwash Operation
FIMAT	Model: JFXL-T	Automatic Time Actuated Backwash Operation
FIMAT	Model: JFXL-TP	Automatic Time and Pressure Differential Actuated Backwash Operation

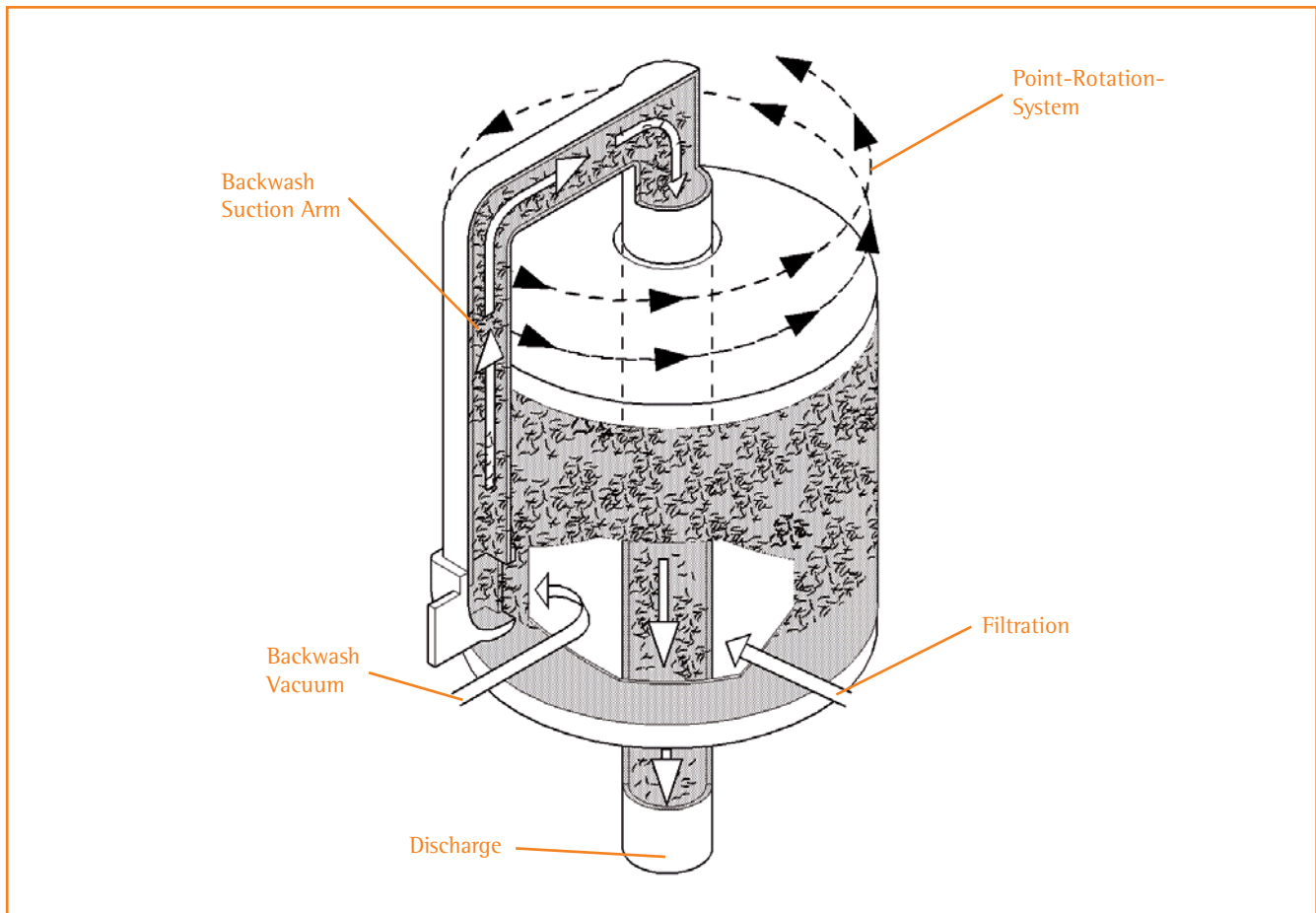
### INTRODUCTION:

For COLD water applications up to a maximum water temperature of 36C (97F) and up to a maximum water pressure of 150 PSI (1034 kPa).

### FUNCTION:

For the filtration / removal of all coarse and fine-grained physical impurities / particulate in the water supply, which are larger than or equal to in size, to the filter sieve pore size.

Backwashing by way of a patented point rotation system without any interruption of the water supply or filtration process.



point rotation system



## SPECIFICATION

**Self Cleaning Back-Washable Water Filters / Strainers**  
**For Cold Water Applications:**  
**1 1/2" (38 mm) - 2" (52 mm)**

JUDO Water Treatment Inc.  
2060 Steeles Ave West, Unit #4  
Concord, Ontario, Canada  
L4K 2V1  
Phone 905.761.1555  
Fax 905.761.3335  
e-mail info@judo-online.com  
Website www.judo-online.com

JUDO Wasseraufbereitung GmbH  
Postfach 380  
D-71351 Winnenden  
Phone 01149-7195-692-212  
Fax 01149-7195-692-110

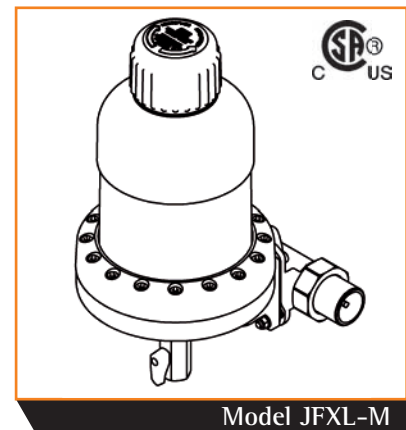
**JUDO quality management**

We are certified according  
ISO 9001:2000

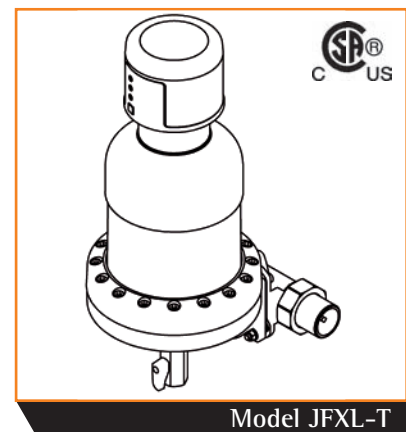


### SPECIFICATION:

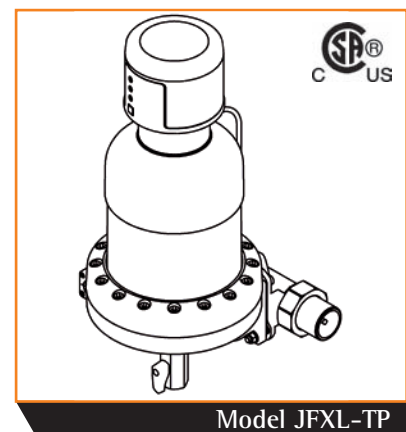
**FIMAT - Model JFXL-M** \_\_\_\_\_ (SPECIFY SIZE) backwash filter with upper housing made of high-grade polymer-based materials and bottom housing made of high-grade cast-iron coated with rilsan, including a quick-mounting device for easy installation in both horizontal and vertical flow direction. Equipped with a clear sight-glass, which allows you to view the filtration, soiling and backwash functions. Filtration through a stainless steel filter sieve size of **100 microns**. Manual backwash by rotating top hand-wheel. Backwash process using a patented point-rotation-system **without any interruption of the water supply or filtration process.** Simultaneous cleaning of the sight-glass during the backwash process. Threaded connection to ANSI B1.20.1.  
For Optional Sieve Size \_\_\_\_\_ (SPECIFY SIZE)



**FIMAT - Model JFXL-T** \_\_\_\_\_ (SPECIFY SIZE) As above except with - Automatic backwash, generated by a time actuated relay, with the following available settings: hourly / daily / weekly / monthly and a manual over-ride button. Backwash process using a patented point-rotation-system **without any interruption of the water supply or filtration process.** Simultaneous cleaning of the sight-glass during the backwash process. Electronic control system with LED display indicators for operation, alarm fault buzzer and manual over-ride button for backwash start-up. **120/24 VAC plug-in transformer (21 VA), 3 prong duplex box outlet with GFI required.** Run backwash flushing drain connection to nearest hub drain using an indirect connection. Threaded connection to ANSI B1.20.1.  
For Optional Sieve Size \_\_\_\_\_ (SPECIFY SIZE)



**FIMAT - Model JFXL-TP** \_\_\_\_\_ (SPECIFY SIZE) As above except with - Automatic backwash, generated by a time actuated relay, with the following available settings: hourly / daily / weekly / monthly and a differential pressure control setting adjustable from 1-10 PSI differential. Backwash process using a patented point-rotation-system **without any interruption of the water supply or filtration process.** Simultaneous cleaning of the sight-glass during the backwash process. Electronic control system with LED display indicators for operation, alarm fault buzzer and manual over-ride button for backwash start-up. **120/24 VAC plug-in transformer (21 VA), 3 prong duplex box outlet with GFI required.** Run backwash flushing drain connection to nearest hub drain using an indirect connection. Threaded connection to ANSI B1.20.1. Filter is equipped with **2 (two) potential-free output dry contact remote transmissions for building automation system.** Maximum load current 1A; Maximum switching voltage 24V.  
For Optional Sieve Size \_\_\_\_\_ (SPECIFY SIZE)





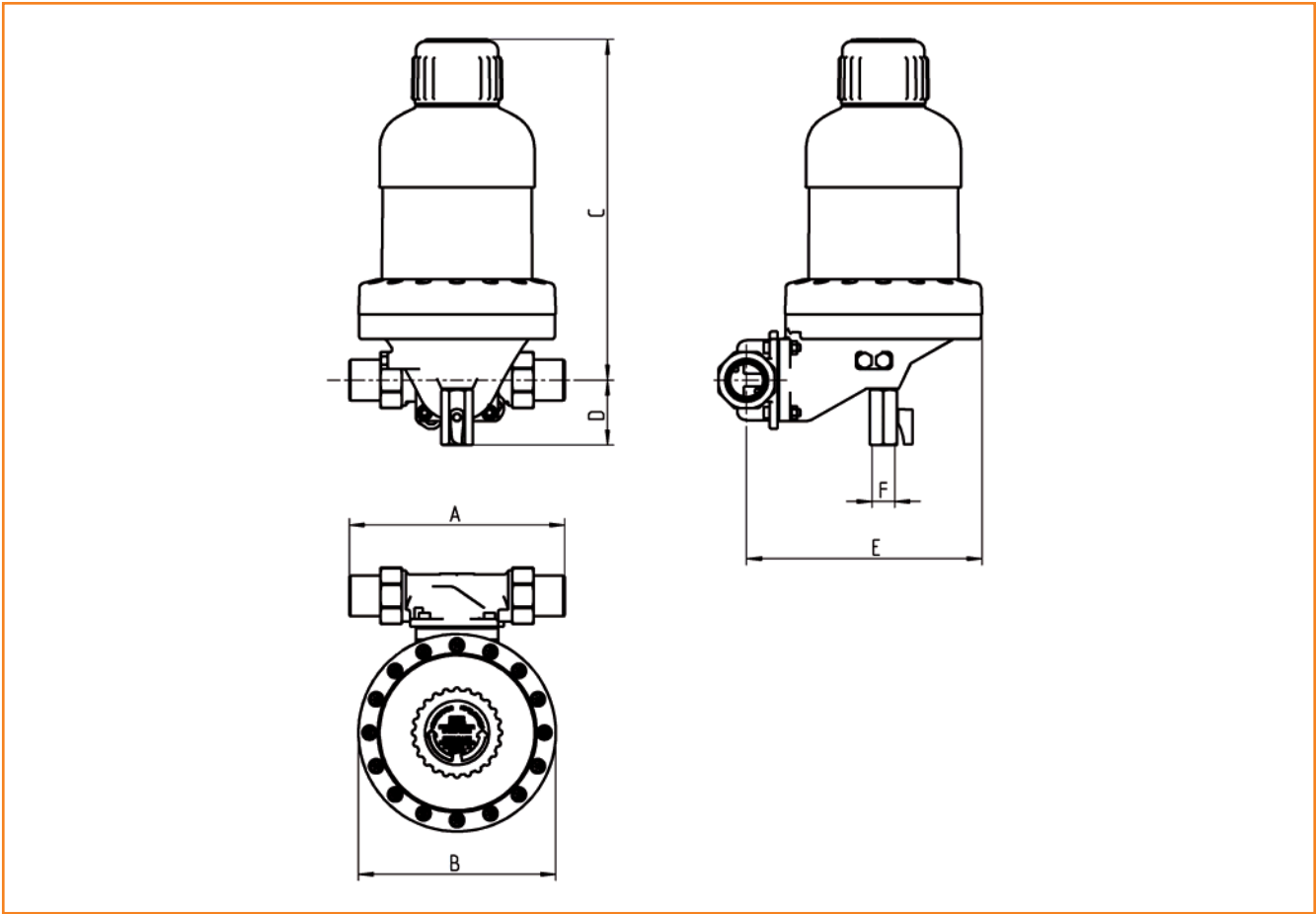
**SPECIFICATION**

Self Cleaning Back-Washable Water Filters / Strainers  
 For Cold Water Applications:  
 1½" (38 mm) - 2" (52 mm)

JUDO Water Treatment Inc.  
 2060 Steeles Ave West, Unit #4  
 Concord, Ontario, Canada  
 L4K 2V1  
 Phone 905.761.1555  
 Fax 905.761.3335  
 e-mail info@judo-online.com  
 Website www.judo-online.com

JUDO Wasseraufbereitung GmbH  
 Postfach 380  
 D-71351 Winnenden  
 Phone 01149-7195-692-212  
 Fax 01149-7195-692-110

**JUDO quality management**  
 We are certified according  
 ISO 9001:2000



**dimensions of JFXL-M**

Model	A	B	C	D	E	F
JFXL-M 1½"	10 (252)	9¼ (232)	15¾ (400)	3 (76)	11 (276)	¾ (19)
JFXL-M 2"	11¼ (280)	9¼ (232)	15¾ (400)	3 (76)	11¼ (284)	¾ (19)

All dimensions in Inches (mm)  
 A = Installation length  
 B = Unit width  
 C = Height above pipe centre  
 D = Height below pipe centre  
 E = Depth to pipe centre



**SPECIFICATION**

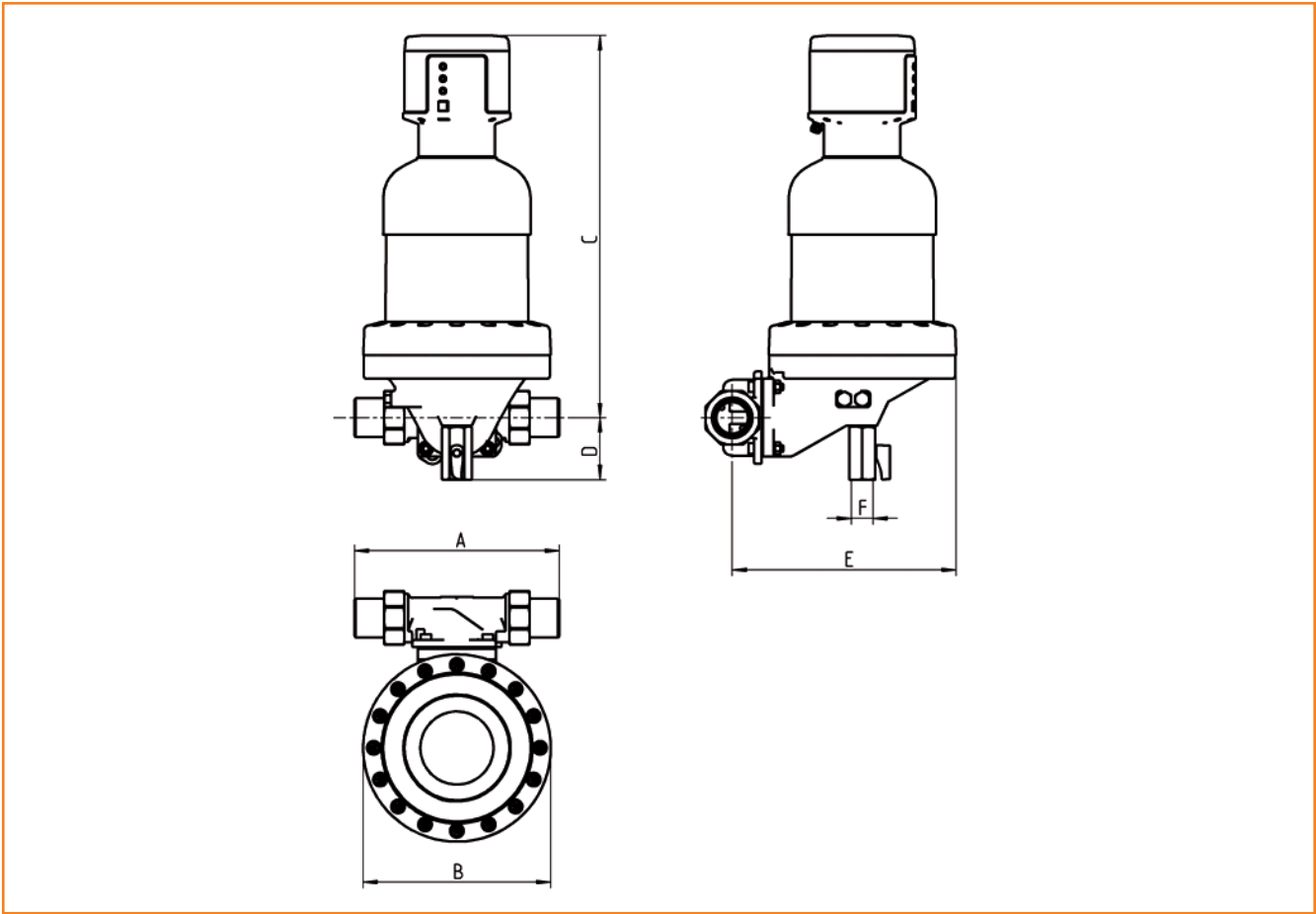
Self Cleaning Back-Washable Water Filters / Strainers  
 For Cold Water Applications:  
 1½" (38 mm) - 2" (52 mm)

JUDO Water Treatment Inc.  
 2060 Steeles Ave West, Unit #4  
 Concord, Ontario, Canada  
 L4K 2V1  
 Phone 905.761.1555  
 Fax 905.761.3335  
 e-mail info@judo-online.com  
 Website www.judo-online.com

JUDO Wasseraufbereitung GmbH  
 Postfach 380  
 D-71351 Winnenden  
 Phone 01149-7195-692-212  
 Fax 01149-7195-692-110

**JUDO quality management**

We are certified according  
 ISO 9001:2000



**dimensions of JFXL-T**

Model	A	B	C	D	E	F
JFXL-T 1½"	10 (252)	9¼ (232)	18¾ (472)	3 (76)	11 (276)	¾ (19)
JFXL-TP 2"	11¼ (280)	9¼ (232)	18¾ (472)	3 (76)	11¼ (284)	¾ (19)

All dimensions in Inches (mm)

- A = Installation length
- B = Unit width
- C = Height above pipe centre
- D = Height below pipe centre
- E = Depth to pipe centre



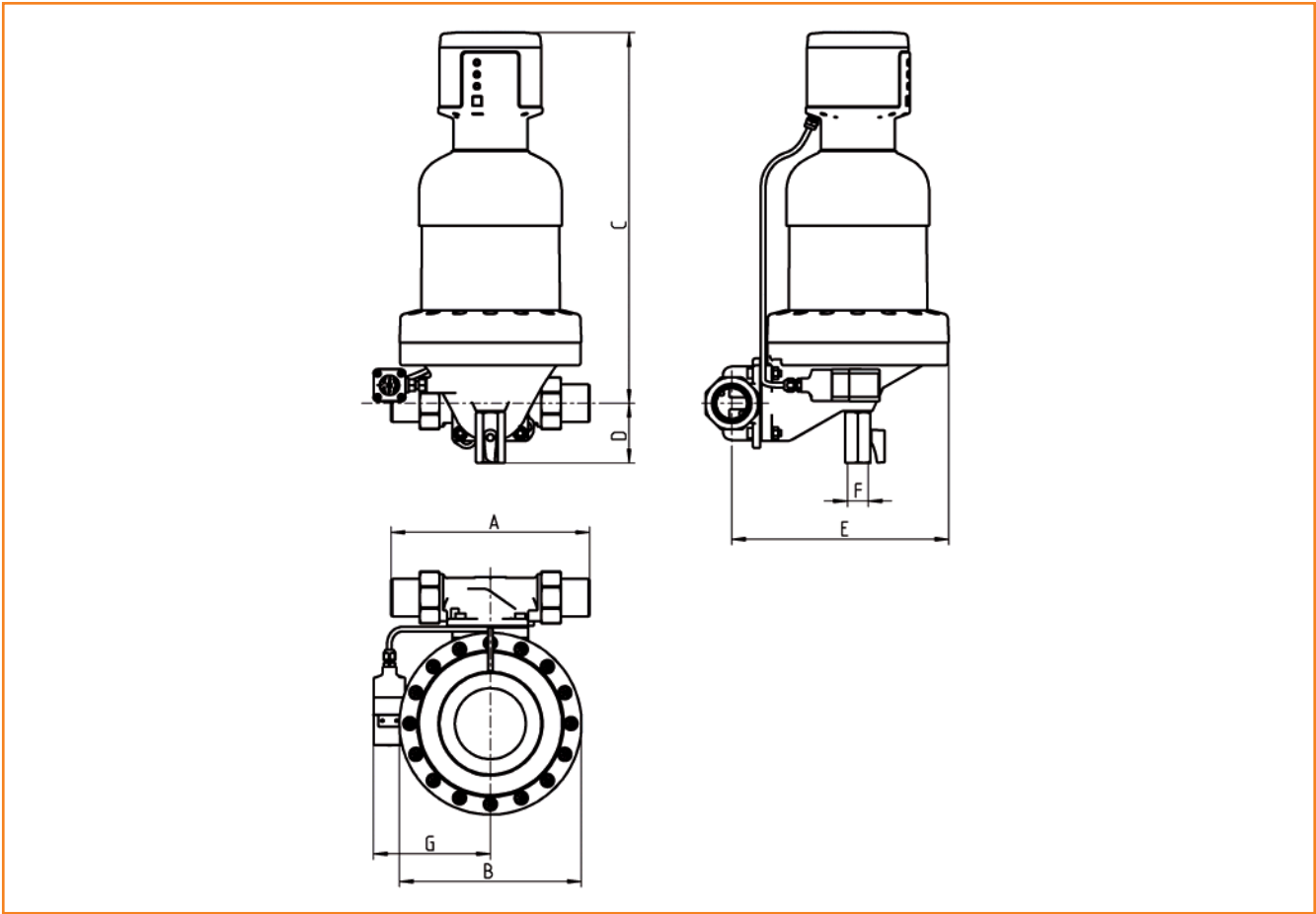
**SPECIFICATION**

Self Cleaning Back-Washable Water Filters / Strainers  
 For Cold Water Applications:  
 1½" (38 mm) - 2" (52 mm)

JUDO Water Treatment Inc.  
 2060 Steeles Ave West, Unit #4  
 Concord, Ontario, Canada  
 L4K 2V1  
 Phone 905.761.1555  
 Fax 905.761.3335  
 e-mail info@judo-online.com  
 Website www.judo-online.com

JUDO Wasseraufbereitung GmbH  
 Postfach 380  
 D-71351 Winnenden  
 Phone 01149-7195-692-212  
 Fax 01149-7195-692-110

**JUDO quality management**  
 We are certified according  
 ISO 9001:2000



**dimensions of JFXL-TP**

Model	A	B	C	D	E	F	G
JFXL-TP 1½"	10 (252)	9¼ (232)	18¾ (472)	3 (76)	11 (276)	¾ (19)	6 (149)
JFXL-TP 2"	11¼ (280)	9¼ (232)	18¾ (472)	3 (76)	11¼ (284)	¾ (19)	6 (149)

All dimensions in Inches (mm)  
 A = Installation length  
 B = Unit width  
 C = Height above pipe centre  
 D = Height below pipe centre  
 E = Depth to pipe centre



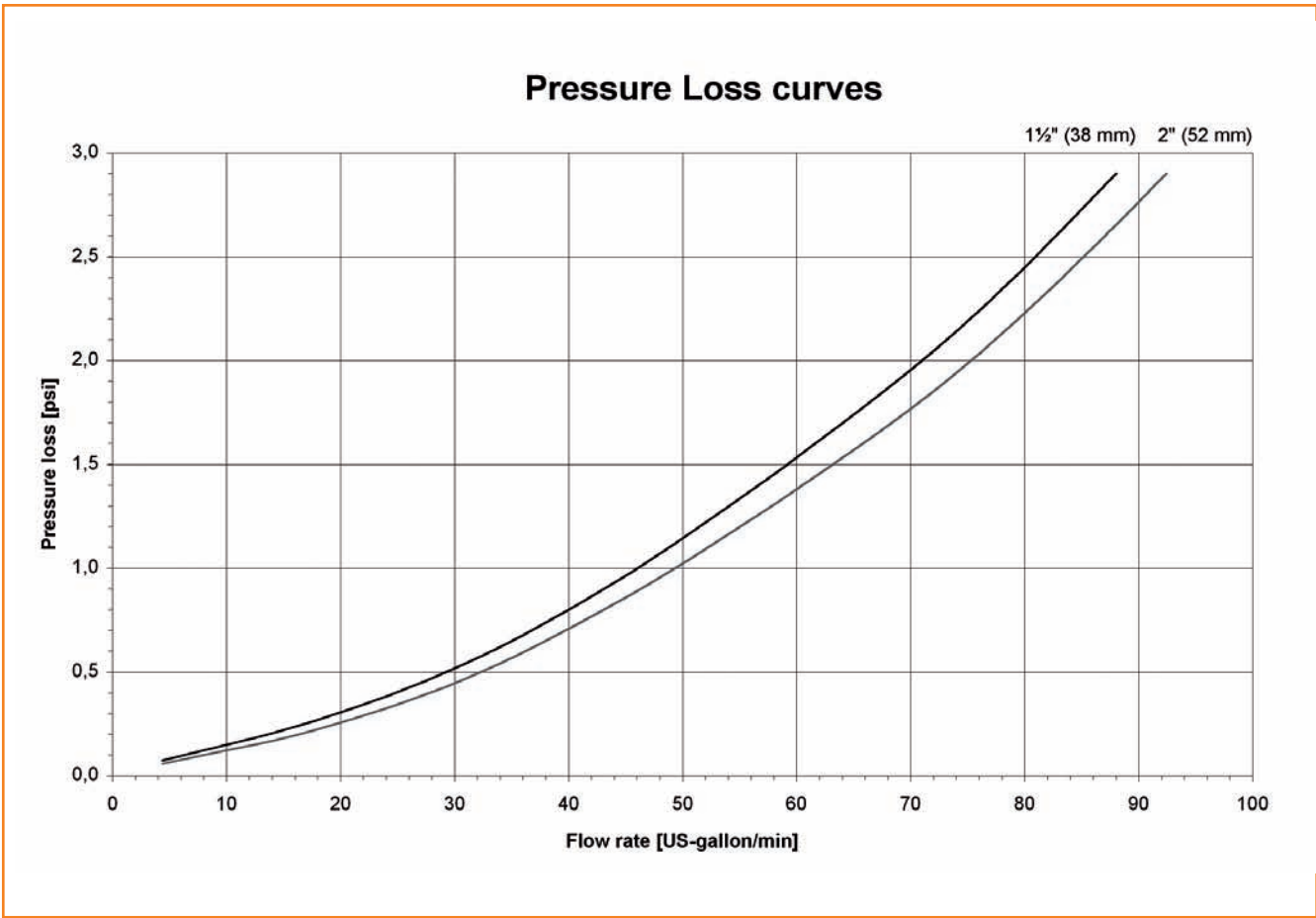
## SPECIFICATION

Self Cleaning Back-Washable Water Filters / Strainers  
 For Cold Water Applications:  
 1½" (38 mm) - 2" (52 mm)

JUDO Water Treatment Inc.  
 2060 Steeles Ave West, Unit #4  
 Concord, Ontario, Canada  
 L4K 2V1  
 Phone 905.761.1555  
 Fax 905.761.3335  
 e-mail info@judo-online.com  
 Website www.judo-online.com

JUDO Wasseraufbereitung GmbH  
 Postfach 380  
 D-71351 Winnenden  
 Phone 01149-7195-692-212  
 Fax 01149-7195-692-110

JUDO quality  
 management  
 We are certified according  
 ISO 9001:2000



pressure loss curves of JFXL

SIZE	FLOW RATE		PRESSURE LOSS	MAX. FLOW PRESSURE		MAX. TEMPERATURE		STANDARD <sup>1</sup> SIEVE SIZE		WEIGHT	ORDER No. manual	ORDER No. automatic	ORDER No. automatic
	gpm	m <sup>3</sup> /h	psi	psi	kPa	°F	°C	mm	Inch	kg		T-control	TP-control
1½" (38 mm)	88	20	2.9	150	1034	97	36	0.1	0.004	30	8020266	8020271	8020275
2" (52 mm)	96	22	2.9	150	1034	97	36	0.1	0.004	30	8020267	8020272	8020230

1. FILTER SIEVES ALSO AVAILABLE IN SIZES 0.03 / 0.32 / 0.5 mm  
 N.B. UNLESS OPTIONAL SIEVE SIZE IS INDICATED WHEN ORDERING, THE STANDARD SIEVE SIZE WILL BE SUPPLIED.

Backwash volume: approx. 8 gpm (0.5 l/s) @ 50 - 65 psi pressure  
 Backwash duration: approx. 2 minutes





## SPECIFICATION

Self Cleaning Back-Washable Water Filters / Strainers  
For Cold Water Applications:  
2 1/2" (65 mm) - 3" (80 mm) - 4" (100 mm)

JUDO Water Treatment Inc.  
2060 Steeles Ave West, Unit #4  
Concord, Ontario, Canada  
L4K 2V1  
Phone 905.761.1555  
Fax 905.761.3335  
e-mail info@judo-online.com  
Website www.judo-online.com

JUDO Wasseraufbereitung GmbH  
Postfach 380  
D-71351 Winnenden  
Phone 01149-7195-692-212  
Fax 01149-7195-692-110

JUDO quality management

We are certified according ISO 9001:2000



### SERIES:

PROFI	Model: JPF	Manual Backwash Operation
PROFIMAT	Model: JPF-A/T	Automatic Time Actuated Backwash Operation
PROFIMAT	Model: JPF-A/TP	Automatic Time and Pressure Differential Actuated Backwash Operation

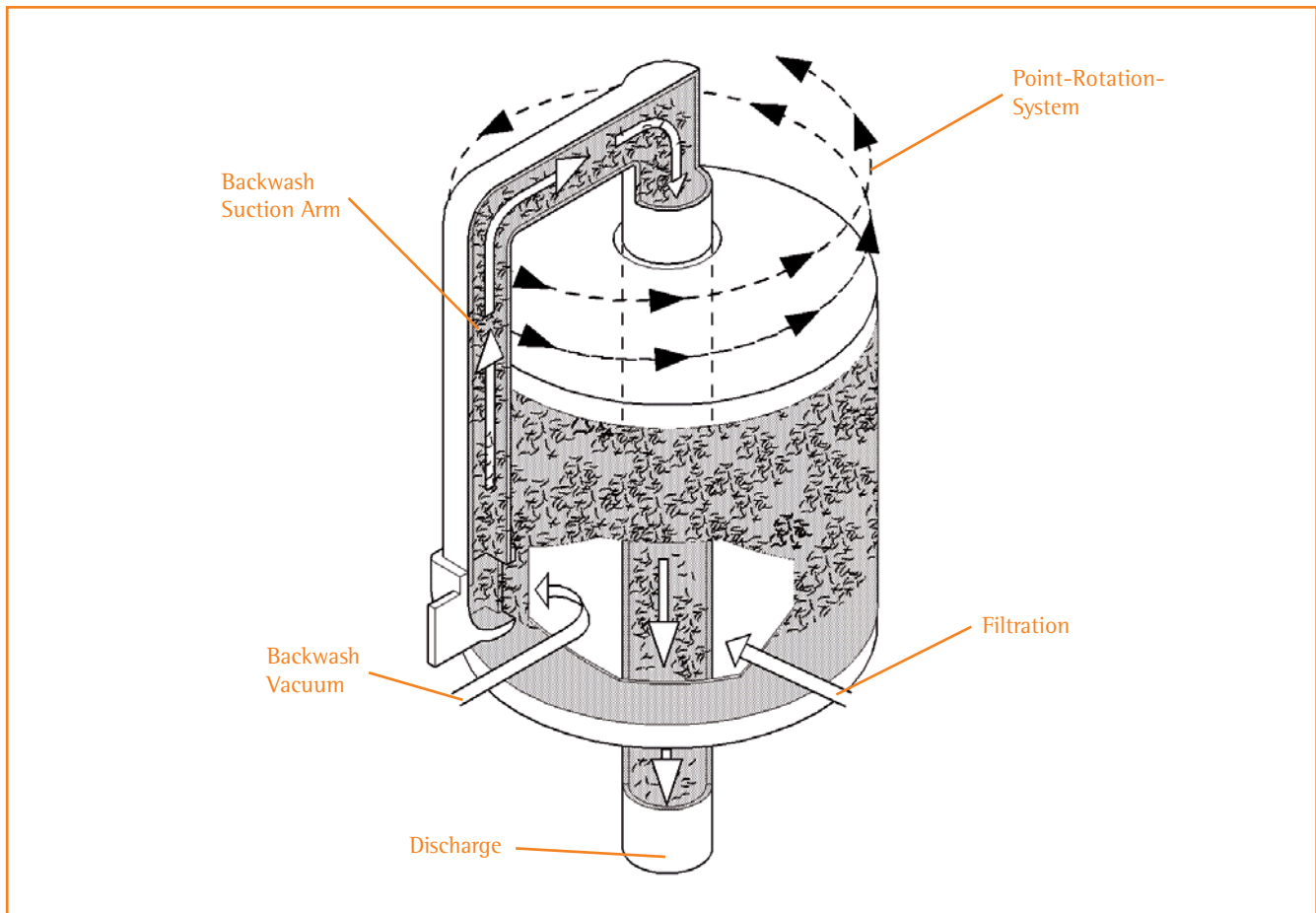
### INTRODUCTION:

For COLD water applications up to a maximum water temperature of 36C (97F) and up to a maximum water pressure of 150 PSI (1034 kPa).

### FUNCTION:

For the filtration / removal of all coarse and fine-grained physical impurities / particulate in the water supply, which are larger than or equal to in size, to the filter sieve pore size.

Backwashing by way of a patented point rotation system without any interruption of the water supply or filtration process.



point rotation system



## SPECIFICATION

**Self Cleaning Back-Washable Water Filters / Strainers  
For Cold Water Applications:  
2 1/2" (65 mm) - 3" (80 mm) - 4" (100 mm)**

JUDO Water Treatment Inc.  
2060 Steeles Ave West, Unit #4  
Concord, Ontario, Canada  
L4K 2V1  
Phone 905.761.1555  
Fax 905.761.3335  
e-mail info@judo-online.com  
Website www.judo-online.com

JUDO Wasseraufbereitung GmbH  
Postfach 380  
D-71351 Winnenden  
Phone 01149-7195-692-212  
Fax 01149-7195-692-110

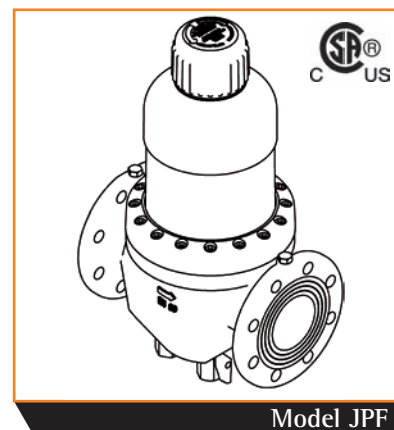
**JUDO quality  
management**

We are certified according  
ISO 9001:2000



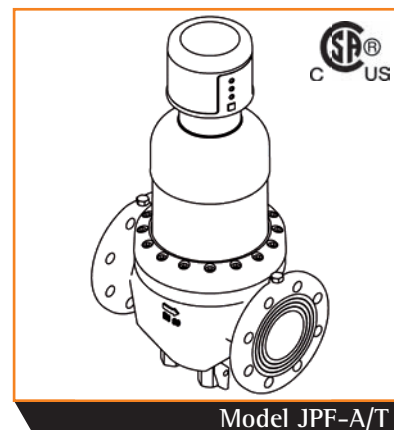
### SPECIFICATION:

**PROFI - Model JPF** \_\_\_\_\_ (SPECIFY SIZE) backwash filter with upper housing made of high-grade polymer-based materials and bottom housing made of high-grade cast-iron coated with rilsan. Equipped with a clear sight-glass, which allows you to view the filtration, soiling and backwash functions. Filtration through a stainless steel filter sieve size of 100 microns. Manual backwash by rotating top hand wheel. Backwash process using a patented point-rotation-system **without any interruption of the water supply or filtration process.** Simultaneous cleaning of the sight-glass during the backwash process. Horizontal pipe installation. Flanged connections to ASME B16.1.  
For Optional Sieve Size (SPECIFY SIZE) \_\_\_\_\_



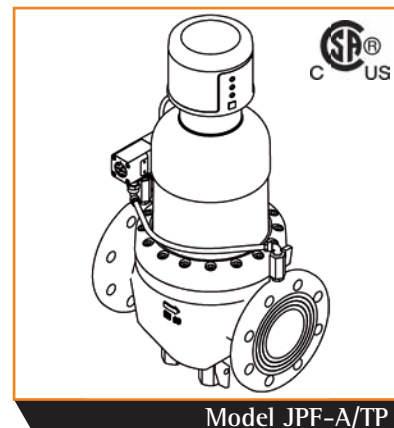
Model JPF

**PROFIMAT - Model JPF-A/T** \_\_\_\_\_ (SPECIFY SIZE) As above except with - Automatic backwash, generated by a time actuated relay, with the following available settings: hourly / daily / weekly / monthly and a manual over-ride button. Backwash process using a patented point-rotation-system **without any interruption of the water supply or filtration process.** Simultaneous cleaning of the sight-glass during the backwash process. Electronic control system with LED display indicators for operation, alarm fault buzzer and manual over-ride button for backwash start-up. 120/24 VAC **plug-in transformer (21 VA)**, 3 prong duplex box outlet with GFI required. Run backwash flushing drain connection to nearest hub drain using an indirect connection. Horizontal pipe installation. Flanged connections to ASME B16.1.  
For Optional Sieve Size (SPECIFY SIZE) \_\_\_\_\_



Model JPF-A/T

**PROFIMAT - Model JPF-A/TP** \_\_\_\_\_ (SPECIFY SIZE) As above except with - Automatic backwash, generated by a time actuated relay, with the following available settings: hourly / daily / weekly / monthly and a differential pressure control setting adjustable from 1-10 PSI differential. Backwash process using a patented point-rotation-system **without any interruption of the water supply or filtration process.** Simultaneous cleaning of the sight-glass during the backwash process. Electronic control system with LED display indicators for operation, alarm fault buzzer and manual over-ride button for backwash start-up. 120/24 VAC **plug-in transformer (21 VA)**, 3 prong duplex box outlet with GFI required. Run backwash flushing drain connection to nearest hub drain using an indirect connection. Horizontal pipe installation. Flanged connections to ASME B16.1. Filter is equipped with 2 (two) potential-free output dry contact remote transmissions for building automation system; Maximum load current 1A; Maximum switching voltage 24V.  
For Optional Sieve Size (SPECIFY SIZE) \_\_\_\_\_



Model JPF-A/TP





## SPECIFICATION

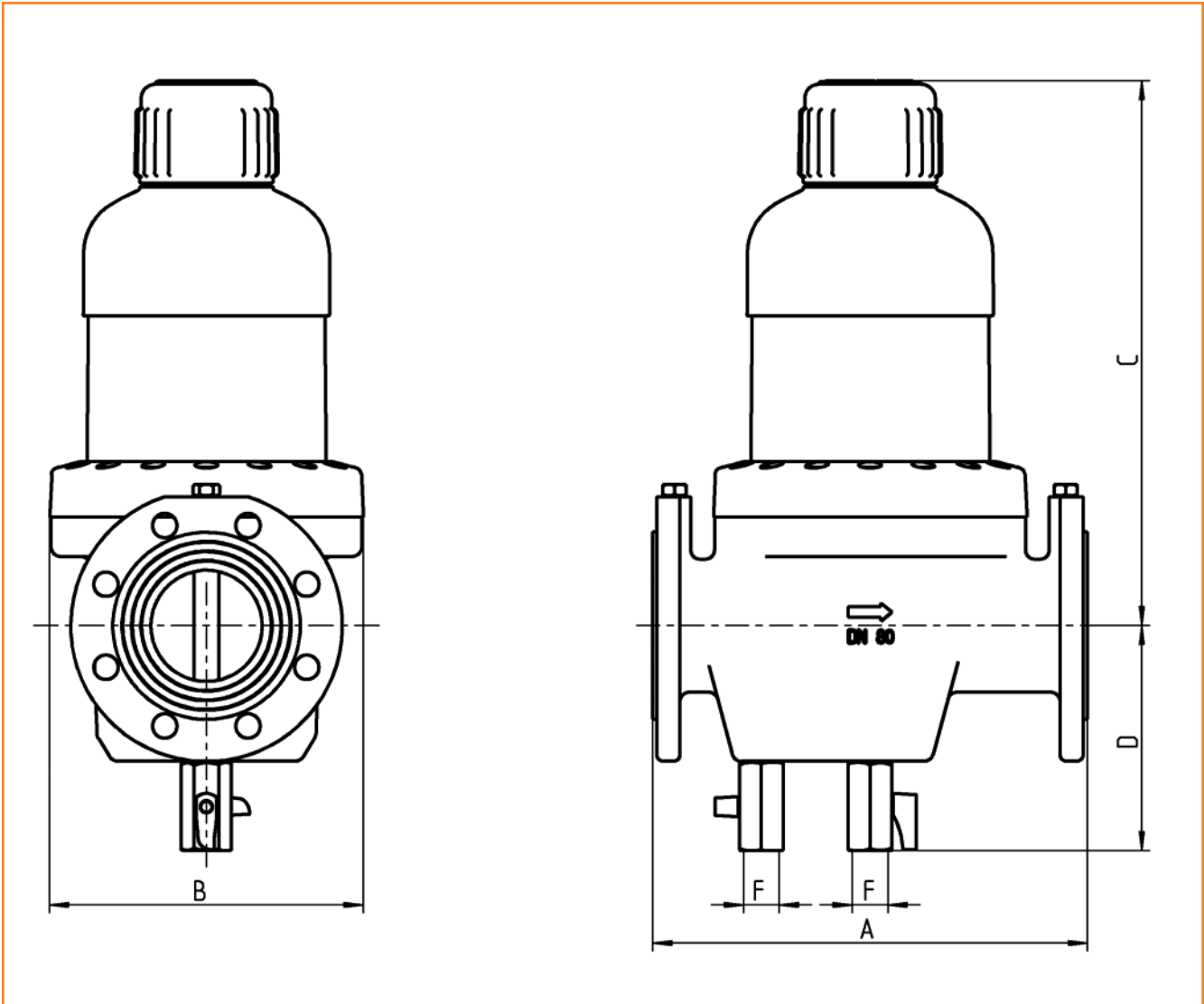
Self Cleaning Back-Washable Water Filters / Strainers  
 For Cold Water Applications:  
 2½" (65 mm) - 3" (80 mm) - 4" (100 mm)

JUDO Water Treatment Inc.  
 2060 Steeles Ave West, Unit #4  
 Concord, Ontario, Canada  
 L4K 2V1  
 Phone 905.761.1555  
 Fax 905.761.3335  
 e-mail info@judo-online.com  
 Website www.judo-online.com

JUDO Wasseraufbereitung GmbH  
 Postfach 380  
 D-71351 Winnenden  
 Phone 01149-7195-692-212  
 Fax 01149-7195-692-110

JUDO quality management

We are certified according ISO 9001:2000



dimensions of JPF

Model	A	B	C	D	F
JPF 2½"	9½ (240)	7½ (185)	13¼ (332)	6½ (159)	¾ (19)
JPF 3"	12¾ (320)	9¼ (232)	16 (402)	6¾ (166)	¾ (19)
JPF 4"	12¾ (320)	9¼ (232)	16¼ (412)	7 (176)	¾ (19)

All dimensions in Inches (mm)

A = Installation length  
 B = Unit width  
 C = Height above pipe centre  
 D = Height below pipe centre



## SPECIFICATION

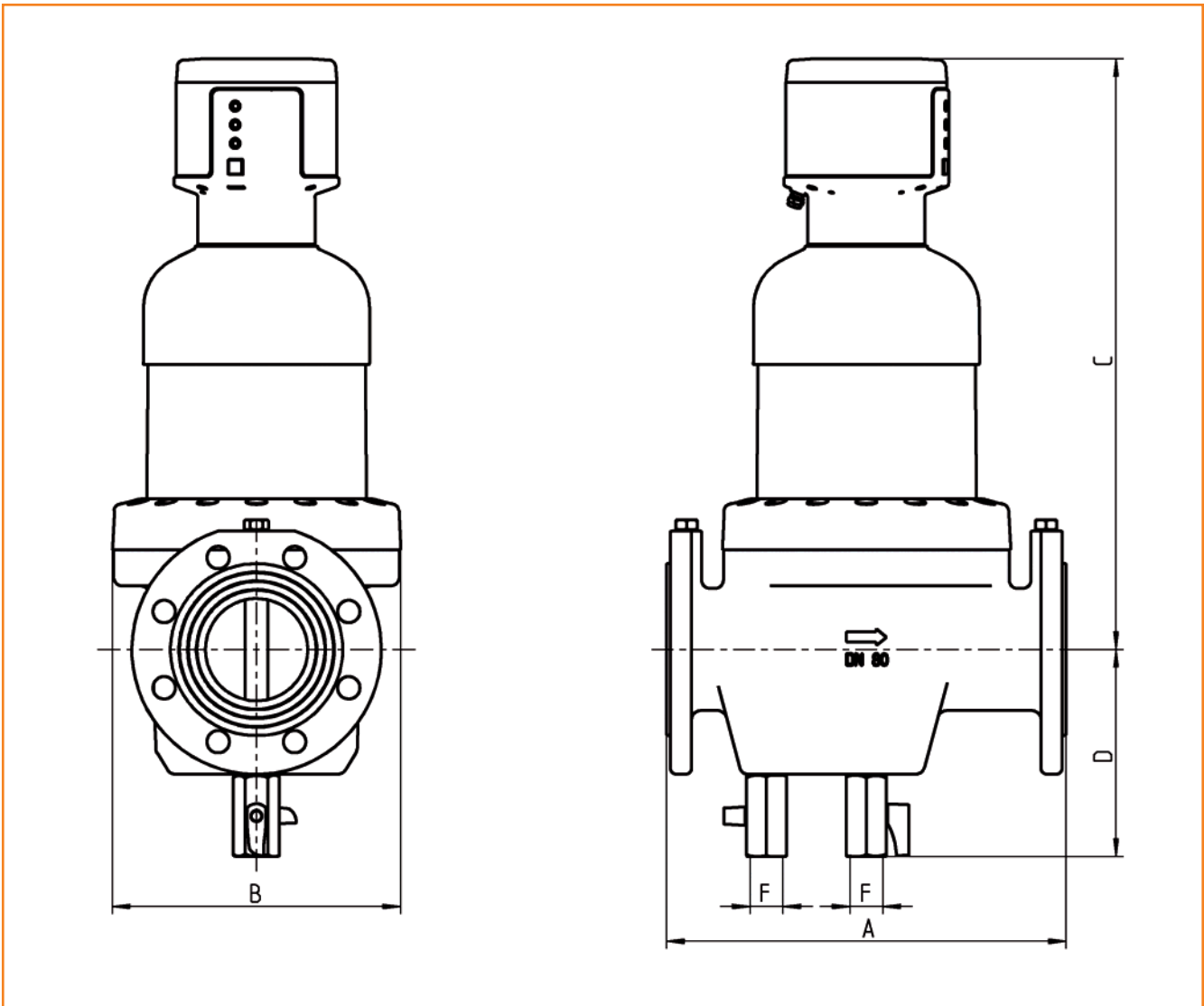
Self Cleaning Back-Washable Water Filters / Strainers  
 For Cold Water Applications:  
 2 1/2" (65 mm) - 3" (80 mm) - 4" (100 mm)

JUDO Water Treatment Inc.  
 2060 Steeles Ave West, Unit #4  
 Concord, Ontario, Canada  
 L4K 2V1  
 Phone 905.761.1555  
 Fax 905.761.3335  
 e-mail info@judo-online.com  
 Website www.judo-online.com

JUDO Wasseraufbereitung GmbH  
 Postfach 380  
 D-71351 Winnenden  
 Phone 01149-7195-692-212  
 Fax 01149-7195-692-110

JUDO quality  
 management

We are certified according  
 ISO 9001:2000



dimensions of JPF-A/T

Model	A	B	C	D	F
JPF-A/T 2 1/2"	9 1/2 (240)	7 1/2 (185)	16 (405)	6 1/2 (159)	3/4 (19)
JPF-A/T 3"	12 3/4 (320)	9 1/4 (232)	18 3/4 (475)	6 3/4 (166)	3/4 (19)
JPF-A/T 4"	12 3/4 (320)	9 1/4 (232)	19 1/4 (485)	7 (176)	3/4 (19)

All dimensions in Inches (mm)

A = Installation length  
 B = Unit width  
 C = Height above pipe centre  
 D = Height below pipe centre



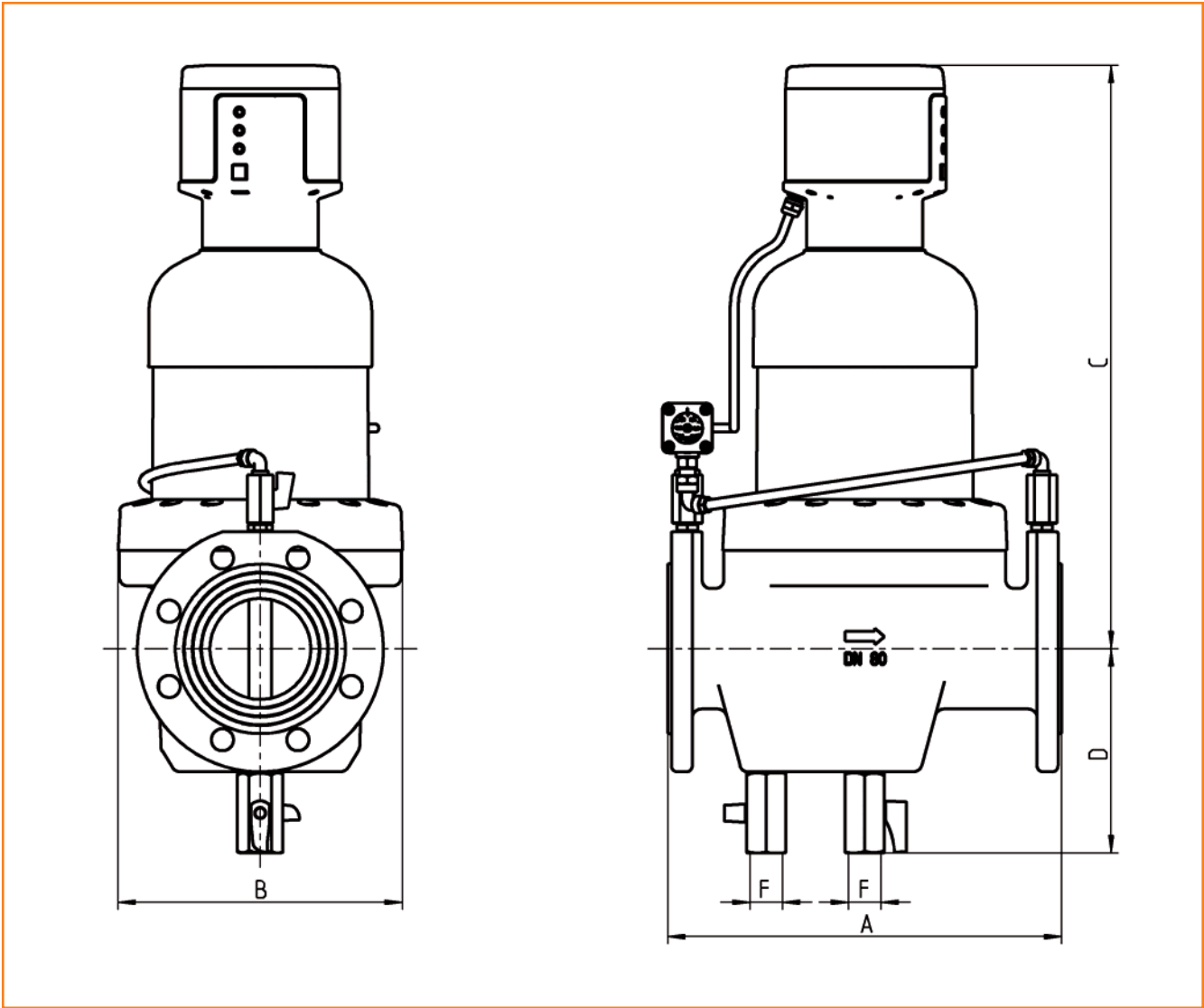
**SPECIFICATION**

Self Cleaning Back-Washable Water Filters / Strainers  
 For Cold Water Applications:  
 2 1/2" (65 mm) - 3" (80 mm) - 4" (100 mm)

JUDO Water Treatment Inc.  
 2060 Steeles Ave West, Unit #4  
 Concord, Ontario, Canada  
 L4K 2V1  
 Phone 905.761.1555  
 Fax 905.761.3335  
 e-mail info@judo-online.com  
 Website www.judo-online.com

JUDO Wasseraufbereitung GmbH  
 Postfach 380  
 D-71351 Winnenden  
 Phone 01149-7195-692-212  
 Fax 01149-7195-692-110

**JUDO quality management**  
 We are certified according  
 ISO 9001:2000



**dimensions of JPF-A/TP**

Model	A	B	C	D	F
JPF-A/TP 2 1/2"	9 1/2 (240)	7 1/2 (185)	16 (405)	6 1/2 (159)	3/4 (19)
JPF-A/TP 3"	12 3/4 (320)	9 1/4 (232)	18 3/4 (475)	6 3/4 (166)	3/4 (19)
JPF-A/TP 4"	12 3/4 (320)	9 1/4 (232)	19 1/4 (485)	7 (176)	3/4 (19)

All dimensions in Inches (mm)  
 A = Installation length  
 B = Unit width  
 C = Height above pipe centre  
 D = Height below pipe centre



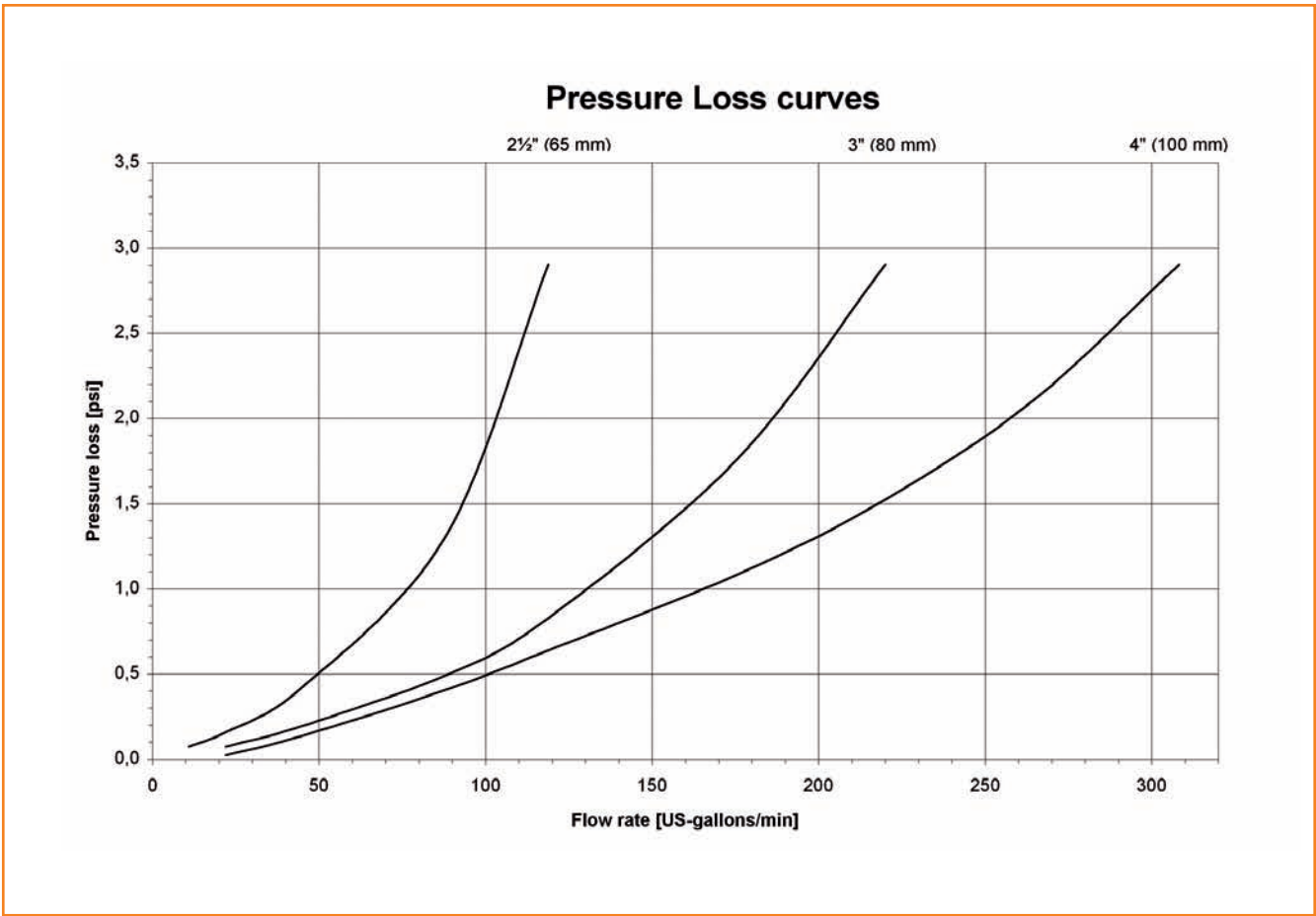
## SPECIFICATION

Self Cleaning Back-Washable Water Filters / Strainers  
 For Cold Water Applications:  
 2½" (65 mm) - 3" (80 mm) - 4" (100 mm)

JUDO Water Treatment Inc.  
 2060 Steeles Ave West, Unit #4  
 Concord, Ontario, Canada  
 L4K 2V1  
 Phone 905.761.1555  
 Fax 905.761.3335  
 e-mail info@judo-online.com  
 Website www.judo-online.com

JUDO Wasseraufbereitung GmbH  
 Postfach 380  
 D-71351 Winnenden  
 Phone 01149-7195-692-212  
 Fax 01149-7195-692-110

JUDO quality  
 management  
 We are certified according  
 ISO 9001:2000



pressure loss curves of JPF

SIZE	FLOW RATE		PRESSURE LOSS	MAX. FLOW PRESSURE		MAX. TEMPERATURE		STANDARD 1 SIEVE SIZE		WEIGHT	ORDER No. manual	ORDER No. automatic	ORDER No. automatic
	gpm	m <sup>3</sup> /h		psi	psi	kPa	°F	°C	mm				
2½" (65 mm)	118	27	2.9	150	1034	97	36	0.1	0.004	21	8010132	8025031	8025029
3" (80 mm)	220	50	2.9	150	1034	97	36	0.1	0.004	33	8010117	8025032	8020210
4" (100 mm)	308	70	2.9	150	1034	97	36	0.1	0.004	35	8010139	8025033	8020211

1. FILTER SIEVES ALSO AVAILABLE IN SIZES 0.03 / 0.32 / 0.5 mm  
 N.B. UNLESS OPTIONAL SIEVE SIZE IS INDICATED WHEN ORDERING, THE STANDARD SIEVE SIZE WILL BE SUPPLIED.

Backwash volume: approx. 8 gpm (0.5 l/s) @ 50 - 65 psi pressure  
 Backwash duration: approx. 2 minutes



# SPECIFICATION

Self Cleaning Back-Washable Water Filters / Strainers  
For Cold Water Applications:  
5" (125 mm) - 6" (150 mm) - 8" (200 mm)

JUDO Water Treatment Inc.  
2060 Steeles Ave West, Unit #4  
Concord, Ontario, Canada  
L4K 2V1  
Phone 905.761.1555  
Fax 905.761.3335  
e-mail info@judo-online.com  
Website www.judo-online.com

JUDO Wasseraufbereitung GmbH  
Postfach 380  
D-71351 Winnenden  
Phone 01149-7195-692-212  
Fax 01149-7195-692-110

JUDO quality management

We are certified according ISO 9001:2000



## SERIES:

PROFI	Model: JPF	Manual Backwash Operation
PROFIMAT	Model: JPF-A/TP	Automatic Time and Pressure Differential Actuated Backwash Operation

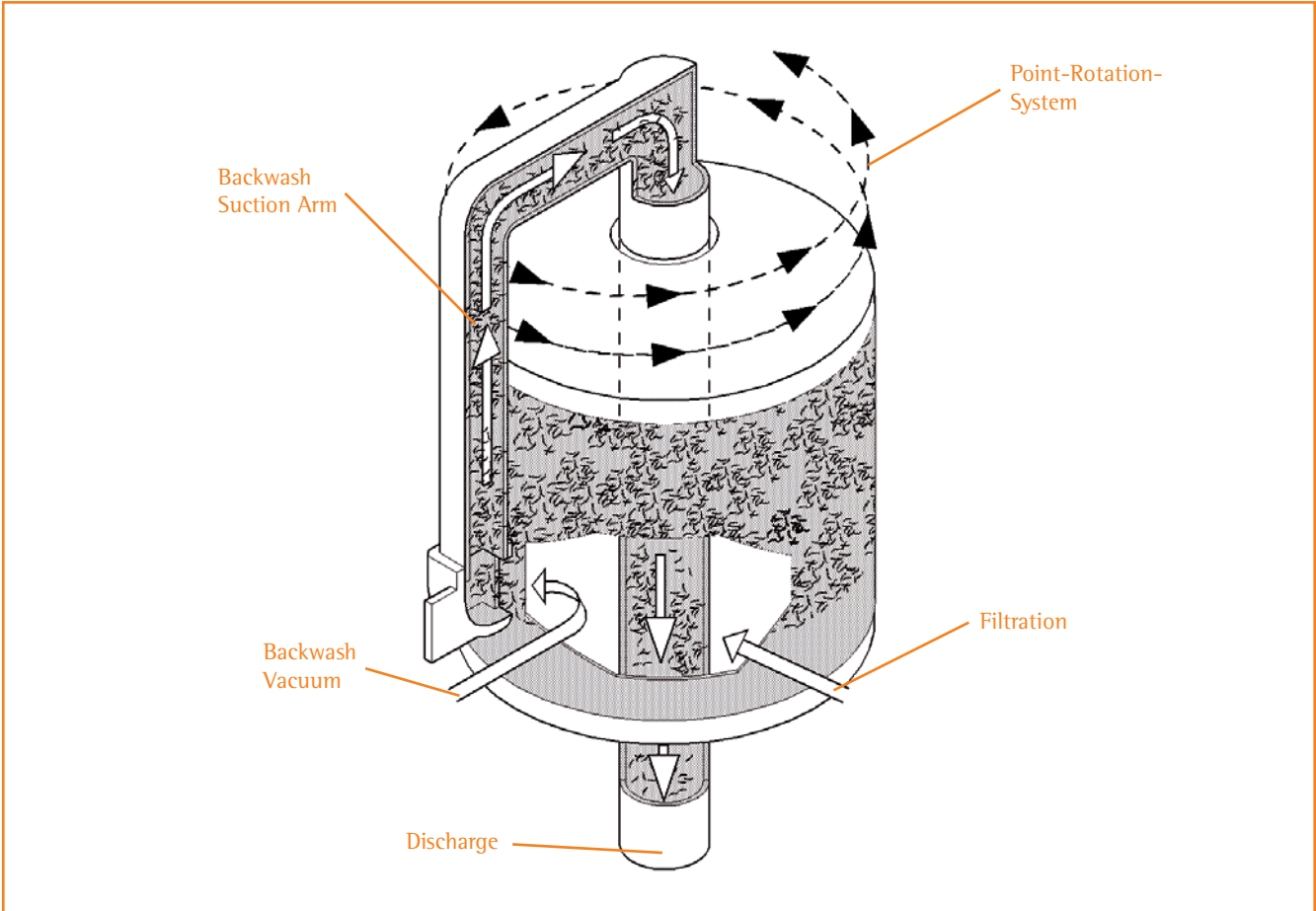
## INTRODUCTION:

For COLD water applications up to a maximum water temperature of 36C (97F) and up to a maximum water pressure of 150 PSI (1034 kPa).

## FUNCTION:

For the filtration / removal of all coarse and fine-grained physical impurities / particulate in the water supply, which are larger than or equal to in size, to the filter sieve pore size.

Backwashing by way of a patented point rotation system without any interruption of the water supply or filtration process.



point rotation system



## SPECIFICATION

Self Cleaning Back-Washable Water Filters / Strainers  
For Cold Water Applications:  
5" (125 mm) - 6" (150 mm) - 8" (200 mm)

JUDO Water Treatment Inc.  
2060 Steeles Ave West, Unit #4  
Concord, Ontario, Canada  
L4K 2V1  
Phone 905.761.1555  
Fax 905.761.3335  
e-mail info@judo-online.com  
Website www.judo-online.com

JUDO Wasseraufbereitung GmbH  
Postfach 380  
D-71351 Winnenden  
Phone 01149-7195-692-212  
Fax 01149-7195-692-110

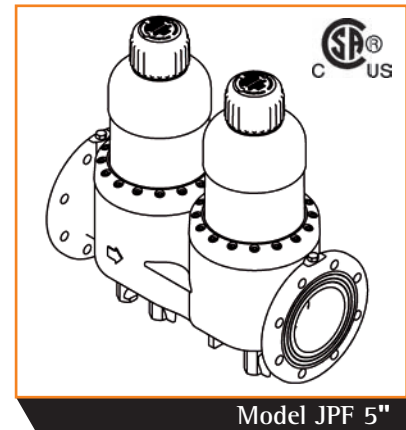
JUDO quality management

We are certified according ISO 9001:2000



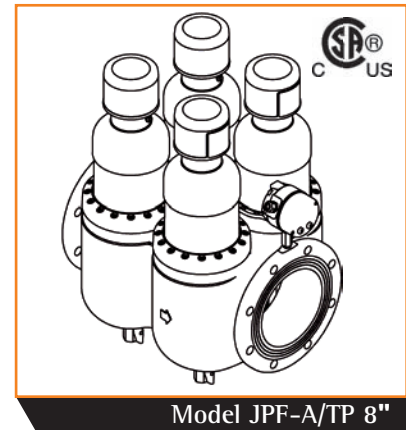
### SPECIFICATION:

**PROFI - Model JPF** \_\_\_\_\_ (SPECIFY SIZE) backwash filter with upper housing made of high-grade polymer-based materials and bottom housing made of high-grade cast-iron coated with rilsan. Equipped with a clear sight-glass, which allows you to view the filtration, soiling and backwash functions. Filtration through a stainless steel filter sieve size of 100 microns. Manual backwash by rotating top hand wheel. Backwash process using a patented point-rotation-system without any interruption of the water supply or filtration process. Simultaneous cleaning of the sight-glass during the backwash process. Horizontal pipe installation. Flanged connections to ASME B16.1. For Optional Sieve Size (SPECIFY SIZE) \_\_\_\_\_

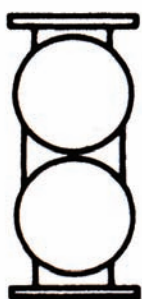


Model JPF 5"

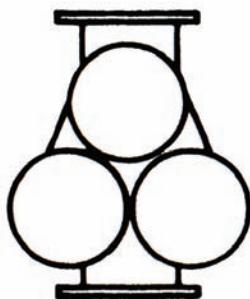
**PROFIMAT - Model JPF-A/TP** \_\_\_\_\_ (SPECIFY SIZE) As above except with - Automatic backwash, generated by a time actuated relay, with the following adjustable range from 1 to 1,440 hours and a differential pressure control setting adjustable from 1-36 PSI differential. Backwash process using a patented point-rotation-system without any interruption of the water supply or filtration process. Simultaneous cleaning of the sight-glass during the backwash process. Electronic control enclosure with computer display for system diagnostics equipped with LED display indicators for operation, alarm fault buzzer and manual over-ride button for backwash start-up. 120/60 VAC plug-in transformer (25 W), 3 prong duplex box outlet with GFI required. Run backwash flushing drain connection to nearest hub drain using an indirect connection. Horizontal pipe installation. Flanged connections to ASME B16.1. Filter is equipped with 2 (two) potential-free output dry contact remote transmissions for building automation system. Maximum load current 1A; Maximum switching voltage 24V. For Optional Sieve Size (SPECIFY SIZE) \_\_\_\_\_



Model JPF-A/TP 8"



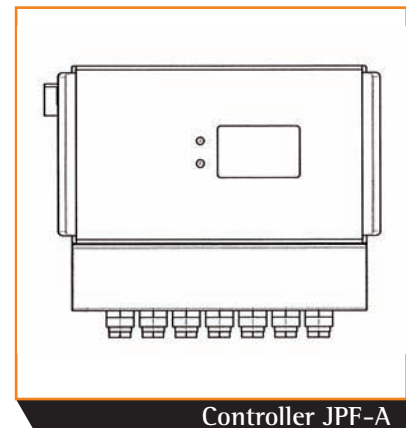
5" (125 mm)



6" (150 mm)



8" (200 mm)



Controller JPF-A





**SPECIFICATION**

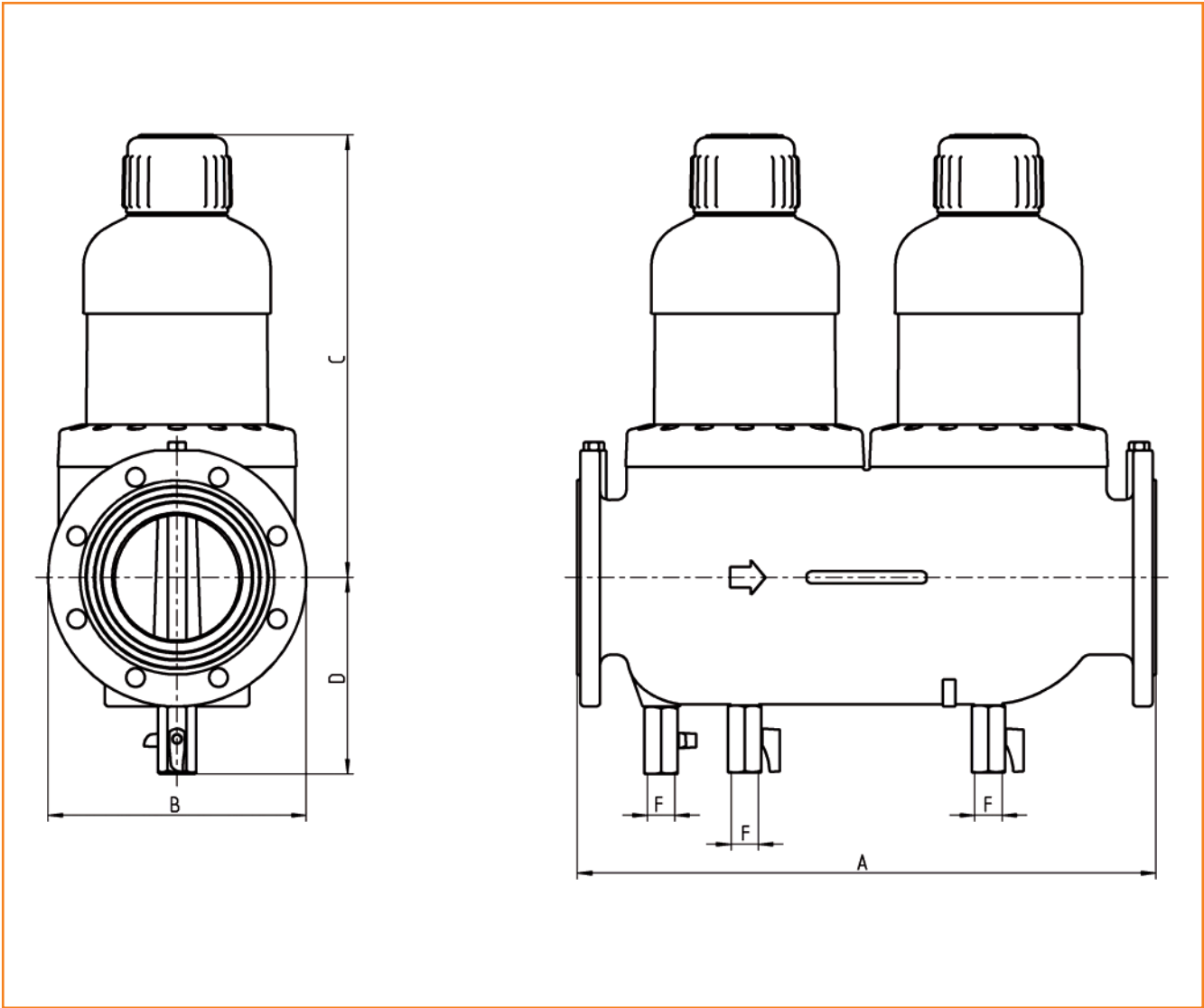
Self Cleaning Back-Washable Water Filters / Strainers  
 For Cold Water Applications:  
 5" (125 mm) - 6" (150 mm) - 8" (200 mm)

JUDO Water Treatment Inc.  
 2060 Steeles Ave West, Unit #4  
 Concord, Ontario, Canada  
 L4K 2V1  
 Phone 905.761.1555  
 Fax 905.761.3335  
 e-mail info@judo-online.com  
 Website www.judo-online.com

JUDO Wasseraufbereitung GmbH  
 Postfach 380  
 D-71351 Winnenden  
 Phone 01149-7195-692-212  
 Fax 01149-7195-692-110

**JUDO quality management**

We are certified according  
 ISO 9001:2000



**dimensions of JPF**

Model	A	B	C	D	F
JPF 5"	22 <sup>1</sup> / <sub>4</sub> (560)	10 (250)	17 (430)	7 <sup>3</sup> / <sub>4</sub> (191)	3x <sup>3</sup> / <sub>4</sub> (19)
JPF 6"	22 <sup>1</sup> / <sub>4</sub> (560)	18 <sup>1</sup> / <sub>2</sub> (468)	18 (453)	8 <sup>1</sup> / <sub>4</sub> (207)	4x <sup>3</sup> / <sub>4</sub> (19)
JPF 8"	23 <sup>3</sup> / <sub>4</sub> (600)	18 <sup>3</sup> / <sub>4</sub> (474)	18 <sup>1</sup> / <sub>2</sub> (469)	9 <sup>1</sup> / <sub>2</sub> (238)	5x <sup>3</sup> / <sub>4</sub> (19)

All dimensions in Inches (mm)

- A = Installation length
- B = Unit width
- C = Height above pipe centre
- D = Height below pipe centre



**SPECIFICATION**

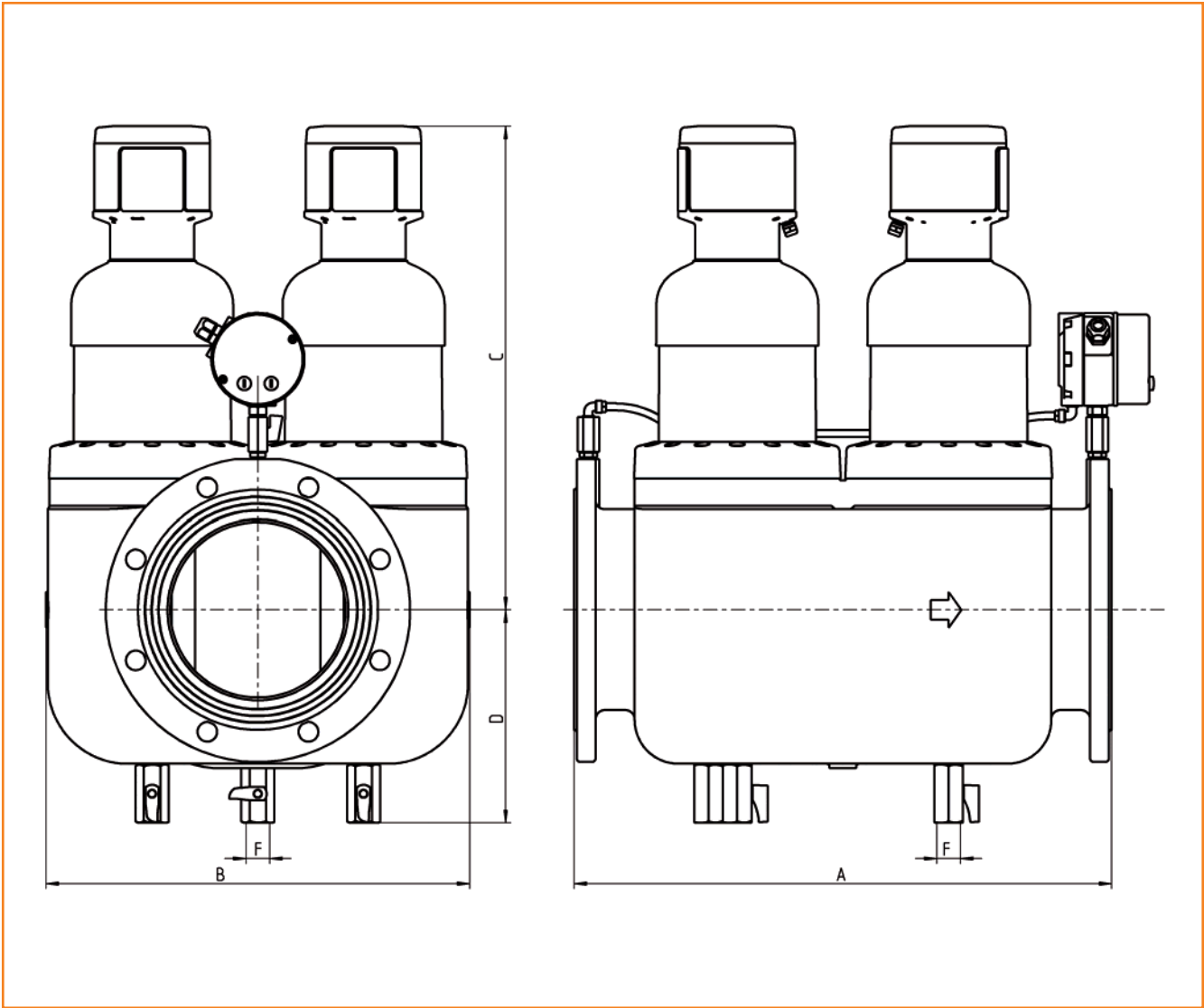
Self Cleaning Back-Washable Water Filters / Strainers  
 For Cold Water Applications:  
 5" (125 mm) - 6" (150 mm) - 8" (200 mm)

JUDO Water Treatment Inc.  
 2060 Steeles Ave West, Unit #4  
 Concord, Ontario, Canada  
 L4K 2V1  
 Phone 905.761.1555  
 Fax 905.761.3335  
 e-mail info@judo-online.com  
 Website www.judo-online.com

JUDO Wasseraufbereitung GmbH  
 Postfach 380  
 D-71351 Winnenden  
 Phone 01149-7195-692-212  
 Fax 01149-7195-692-110

**JUDO quality management**

We are certified according  
 ISO 9001:2000



**dimensions of JPF-A/TP**

Model	A	B	C	D	F
JPF-A/TP 5"	22¼ (560)	10 (250)	19¾ (501)	7¾ (191)	3x ¾ (19)
JPF-A/TP 6"	22¼ (560)	18½ (468)	20¾ (525)	8¼ (207)	4x ¾ (19)
JPF-A/TP 8"	23¾ (600)	18¾ (474)	21½ (540)	9½ (238)	5x ¾ (19)

All dimensions in Inches (mm)

- A = Installation length
- B = Unit width
- C = Height above pipe centre
- D = Height below pipe centre



## SPECIFICATION

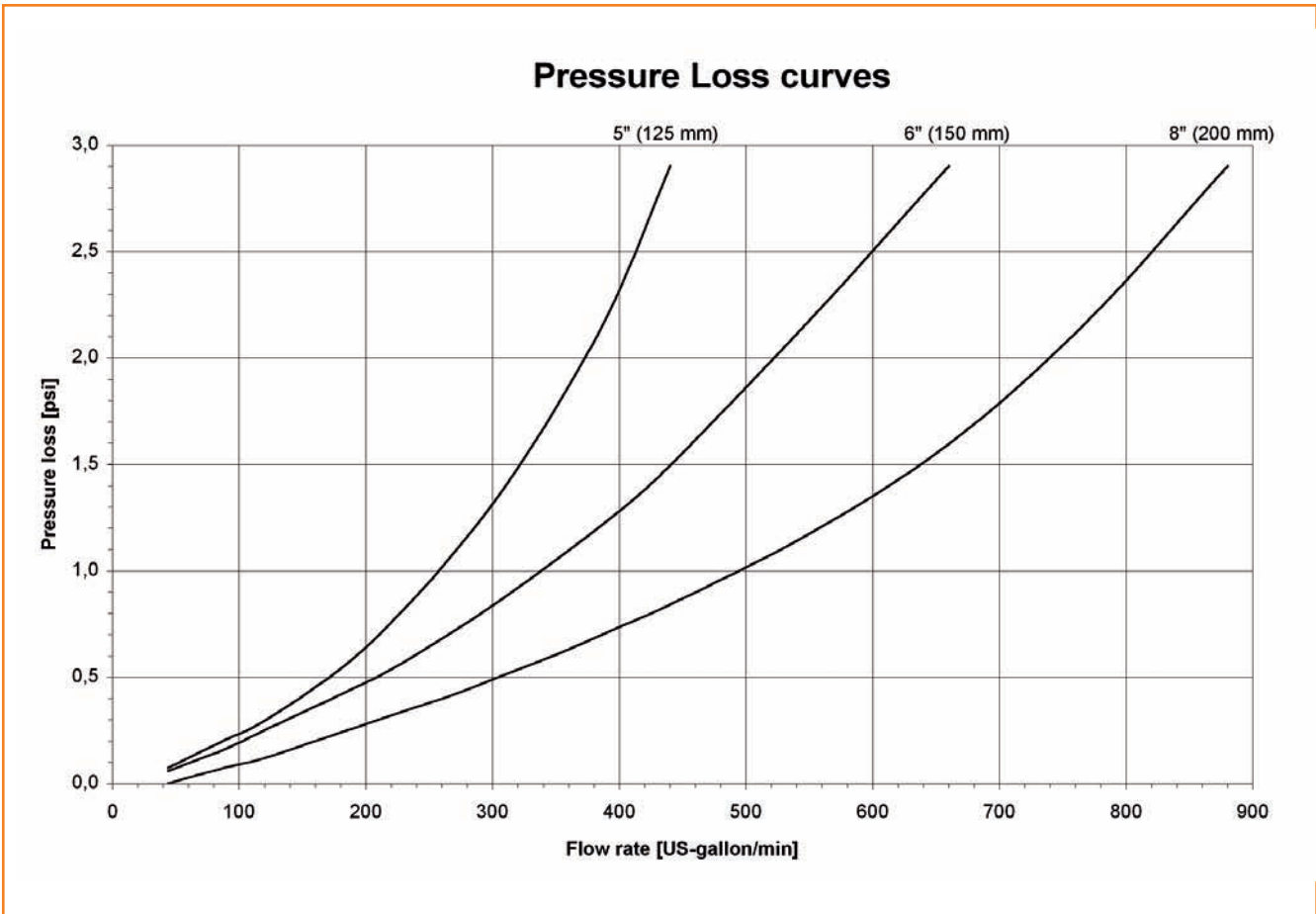
Self Cleaning Back-Washable Water Filters / Strainers  
 For Cold Water Applications:  
 5" (125 mm) - 6" (150 mm) - 8" (200 mm)

JUDO Water Treatment Inc.  
 2060 Steeles Ave West, Unit #4  
 Concord, Ontario, Canada  
 L4K 2V1  
 Phone 905.761.1555  
 Fax 905.761.3335  
 e-mail info@judo-online.com  
 Website www.judo-online.com

JUDO Wasseraufbereitung GmbH  
 Postfach 380  
 D-71351 Winnenden  
 Phone 01149-7195-692-212  
 Fax 01149-7195-692-110

JUDO quality  
 management

We are certified according  
 ISO 9001:2000



pressure loss curves of JPF

SIZE	FLOW RATE		PRESSURE LOSS	MAX. FLOW PRESSURE		MAX. TEMPERATURE		STANDARD 1 SIEVE SIZE		WEIGHT	ORDER No. manual	ORDER No. automatic
	gpm	m <sup>3</sup> /h		psi	kPa	°F	°C	mm	Inch			
5" (125 mm)	440	100	2.9	150	1034	97	36	0.1	0.004	74	8290015	8330016
6" (150 mm)	660	150	2.9	150	1034	97	36	0.1	0.004	145	8290016	8025025
8" (200 mm)	880	200	2.9	150	1034	97	36	0.1	0.004	200	8290017	8320015

1. FILTER SIEVES ALSO AVAILABLE IN SIZES 0.03 / 0.32 / 0.5 mm

N.B. UNLESS OPTIONAL SIEVE SIZE IS INDICATED WHEN ORDERING, THE STANDARD SIEVE SIZE WILL BE SUPPLIED.

Backwash volume: approx. 8 gpm (0.5 l/s) @ 50 - 65 psi pressure

Backwash duration: approx. 4 minutes for 5", 6 minutes for 6", 8 minutes for 8"